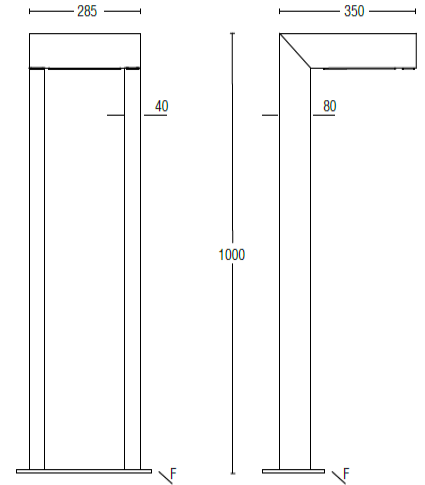




LENA LB6049.563



Lena

GENERAL HIGHLIGHTS

- Structured with LED light source
- Operating Temperature: -40°C / +55°C
- Exceptional thermal characteristics
- In compliance with EN 60598, EN 62722

ELECTRICAL PROPERTIES

- Drive current: 350mA
- Optimized PCB Design
- Energy class: A
- Power factor: > 0.90
- Input Voltage: 220V - 240V at 50Hz / 60Hz
- Control type: On/Off

OPTICAL PROPERTIES

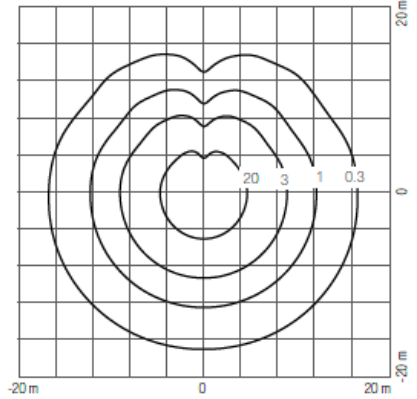
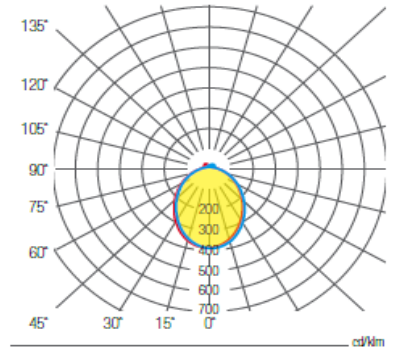
- Equipped with high efficiency LED chips
- Optimized symmetrical lighting distribution
- Glare minimizing diffusor
- No glare with intended use
- High power, undomed LED chips
- Quarter bin LED chips
- MacAdam Ellipse 3
- Photobiological safety: Risk group 1
- Lumen output (absolute photometry): 850lm - 1000lm
- Color temperature: 3000K, 4000K, 2700K (Optional)
- Lumen depreciation: L90B50 > 103000h
- CRI > 70 (4000K), CRI > 80 (3000K)
- ULOR: 0



Landscape Areas



Walkways



Lena

BODY HOUSING & FINISH

- Corrosion resistant aluminum housing
- Electrostatic powder coating
- HM1 to HM6 standard colors with optional RAL codes
- Ingress protection: IP65
- Impact protection: IK05

EXTRAS

- Higher CRI LED chips
- Marine grade body
- Higher power and lumen output (45W, 2800lm)

Finish Options

- HM1 – Special Black
- HM2 – Special Silvery Grey
- HM3 – Special Dark Grey
- HM4 – Special Light Grey
- HM5 – Special White
- Optional RAL codes

LENA

| CODE | DESCRIPTION | CCT | POWER | LUMEN OUTPUT (System) | ANCHORAGE |
|------------|-------------|---------------|-------|-----------------------|-----------|
| LB6049.563 | LENA | 3000K / 4000K | 15W | 850-1000 lm | 626J014 |