



# ZELDA

Luminaire design: Eclatec

The **ZELDA** luminaire is part of the LED technology adventure; it even constitutes a successful outcome in terms of simplicity, efficiency and performance.

Its integrated ball (Easylink ®) ensures rapid and elegant adaptation to top or lateral mounting. The upper cover, removable and interchangeable, accepts all LED sources and control equipment.

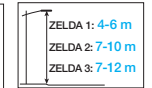
**ZELDA** is available in three sizes and two finishes (S, essential and X, excellence). The S level meets the demand for a maintenance-free fixture whereas the X version allows easy maintenance without tools.

**ZELDA**, when art walks hand-in-hand with technological progress.



INTEGRATED BLS STRIPS





ZELDA 1 - S version



ZELDA 2 - X version



ZELDA 3 - X version



## APPLICATIONS

- Mounting: top and side entry
- Zelda 1: Pedestrian areas, cycle paths, residential areas, street lighting  
Zelda 2 and 3: Roads, secondary urban and inter-urban streets
- Recommended heights: Zelda 1: 4 to 6 m / Zelda 2: 7 to 10 m / Zelda 3: 7 to 12 m

## DESCRIPTION

- Luminaire available in 3 sizes: Zelda 1, Zelda 2 and Zelda 3
- Zelda available in 3 levels:
  - 1E: Unique version for standard use
  - 2EA: Fixed settings for night dimming
  - 2EB: Fixed current setting at 700 mA, without options
  - 3E: Most efficient and customizable version Injected die cast aluminium
- Bottom and canopy X Version: with opening paddle; S version: screw closure
- Body, cover, sleeve and paddle (X version) in die-cast aluminium
- Bowl in thermally tempered and screen printed glass
- Polyester powder coating, any colour available
- IP 66
- IK 10
- Class I or II
- Standard BLS LED strips equipped with **QUADRALENS** lenses
- Colour temperatures: 2400 K, 2700 K, 3000 K or 4000 K

## CITIZEN REFERENCE POINTS

- Materials used:
  - ZELDA 1: Aluminium 69%, Glass 9%, Steel 5%, Plastic 1%, Other 16%
  - ZELDA 2: Aluminium 66%, Glass 11%, Steel 4%, Plastic 2%, Other 17%
  - ZELDA 3: Aluminium 67%, Glass 12%, Steel 2%, Plastic 1%, Other 18%
- Complies with the RoHS directive
- High recyclability rate

## WATERPROOFING

- IP 66 waterproofing in accordance with the standard EN 60 529
- Extruded silicone seal
- Cable gland
- Breathing system with activated carbon filter

## MECHANICAL INTERFACES

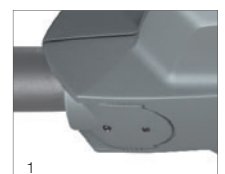
- Top rotating arm built into the luminaire
  - Top or Side Ø 60 mm, Ø 49 mm
  - Top Ø 76 mm
- Tilts
  - TOP: 0°; +5°; +10°; +15°; +20°
  - SIDE 0°; -5°; -10°; -15°; -20°
- Locking using 2 pressure screws {1}



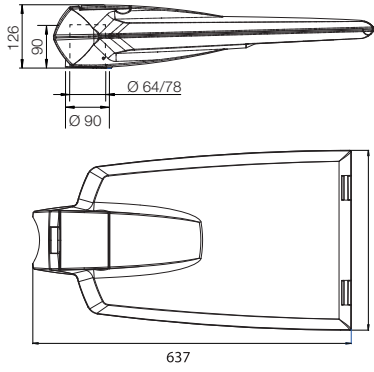
Sleeve in Top position



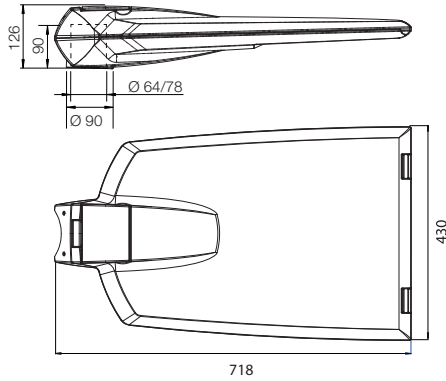
Sleeve in Lateral position



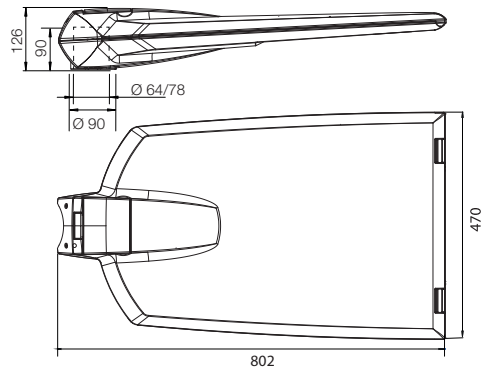
1



ZELDA 1

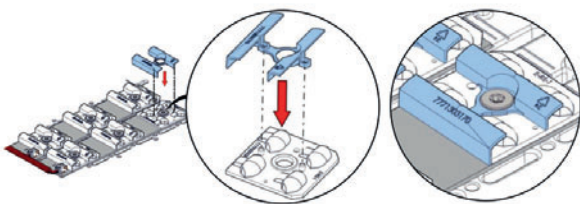


ZELDA 2



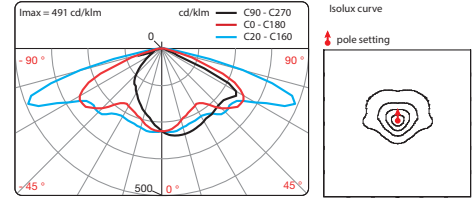
ZELDA 3

BACKLIGHT SHIELD

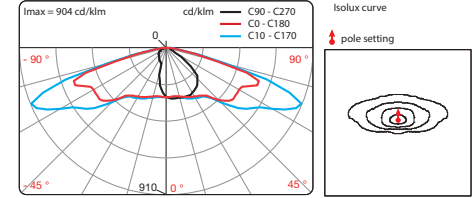


Backlight shield BLS version

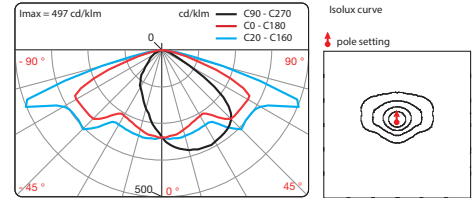
ZELDA - ERL



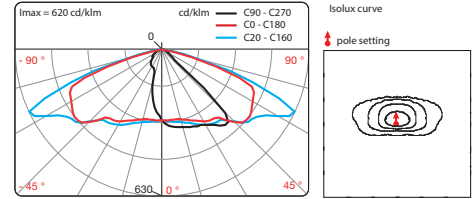
ZELDA - ERS



ZELDA - LRL



ZELDA - LRS



MAINTENANCE (version X\*)

Opening and closing

The upper part of the luminaire cover can be opened without tools using the flap {1}  
Cutting of the power supply when the luminaire is opened by a dedicated ECLATEC connector {2}



Source maintenance

Replacement without tools onsite of the luminaire cover: equipment circuit board (attached with 3 screws) and LED sources {3}



\*Version S: Opening of the cover after unscrewing 2 screws {4}