

Venezia

Product code: VNC15



Cast iron pole with steel core and cast iron base, prepared for pole-top system installation.
The pole is composed of: base, decorated column, smooth column, capital and decorative element.
The pole is equipped with an M12 screw, steel inox AISI 304 (grounding).

Conformity



Geometry and mechanical features

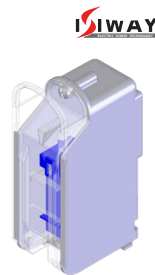
Total height:	4.390 mm
Total weight:	⊕ flange: 394 Kg ⊕ foundation: 393 Kg

Materials | Color

Base:	Cast-iron EN1561
Inspection door:	Cast-iron EN1561
Column 1:	Cast-iron EN1561
Column 2:	Steel S355 - hot galvanized UNI EN 10219 - EN1461
Capital:	Cast-iron EN1561
Decorative element:	Cast-iron EN1561
Core:	Steel S355 - hot galvanized UNI EN 10219 - EN1461
Color:	Dark grey (ferromicaceo) Ghisamestieri®

Terminal block 4x16mm²

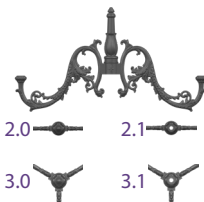
Smooth fitting door



Pole-top systems

Standard

Venezia large



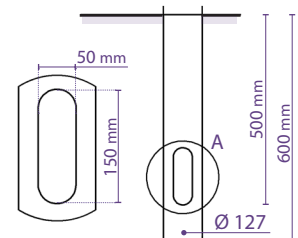
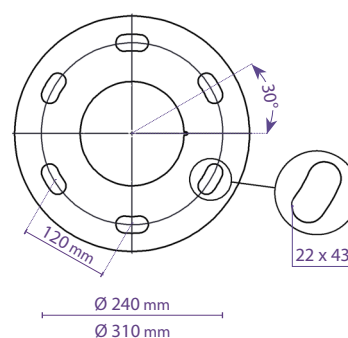
Fixing type



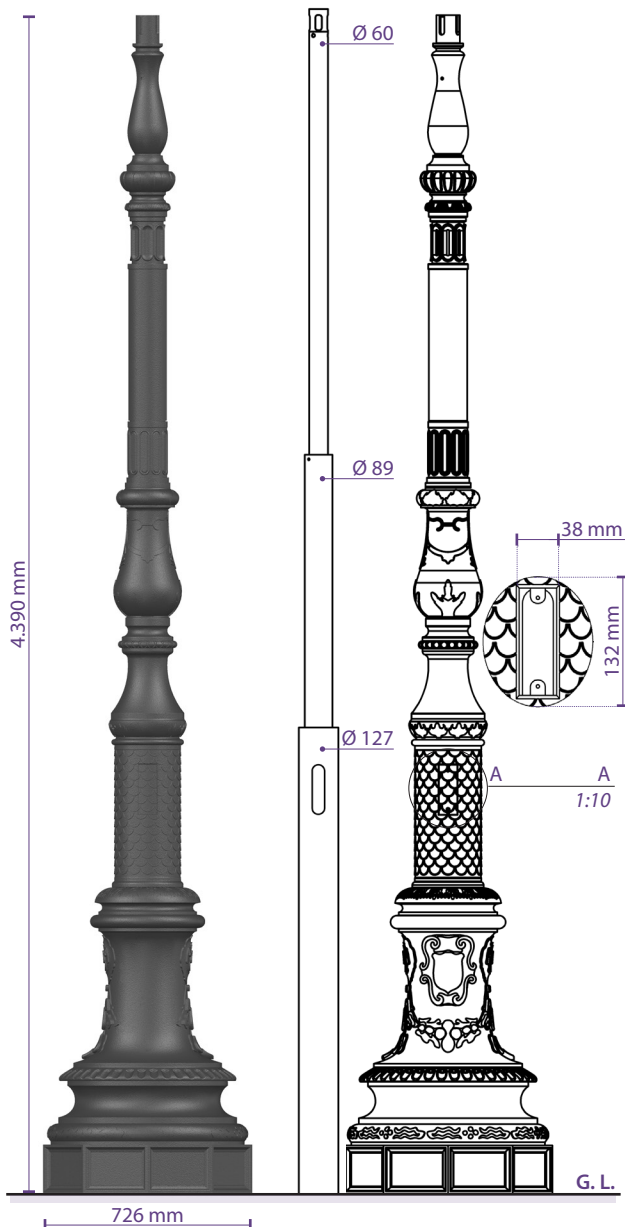
Flange



Foundation



Supplied:
Heat-shrink sheath



Scale: 1:25

Protection cycles

GALVANIZED STEEL

Protection of galvanized steel surfaces for poles

The protection of galvanized steel elements is achieved by following steps:

- Micro sandblasting
- First epoxy layer application followed by: Wilting > Drying > Cooling
- Acrylic glaze layer application followed by: Wilting > Drying > Cooling
- Packing at least after 24-hour-drying at room temperature.

Protection of galvanized steel surfaces for brackets and pastorals

The protection of the galvanized steel elements is achieved thanks to:

- Micro sandblasting
- Phosphoric pickling bath at a pH level ranging from 1.5 to 3
- Rinsing with demineralised water
- First powder layer application
- Kiln firing
- Application of a final powder layer
- Kiln roasting of the final powder layer at 180°
- Cooling.

CAST IRON

Protection of cast iron surfaces for bases

The protection of cast iron elements is achieved by the following treatments:

- Surface micro shotblasting
- Mono-component dip galvanizing followed by: Wilting > Drying > Cooling
- Epoxy micaceous primer application followed by: Wilting > Drying > Cooling
- Acrylic enamel application followed by: Wilting > Drying > Cooling.
- Packing at least after 24-hour-drying at room temperature.

DIE-CAST ALUMINIUM

Protection of die-cast aluminium surfaces for lighting fixtures, tops, collars, brackets and pastorals

Brackets, pastoral, and die-cast accessories undergo a cycle of powder painting which creates a barrier against the corrosion of metal parts. Moreover this barrier makes the finished product comply with design specifications in terms of surface roughness, color and reflectance. The cycle consists of the following steps:

- Micro sandblasting
- Hot pickling bath in a zinc-based phosphodegreasing solution
- Phospho-chromatation for surfaces clearing
- Washing with water
- Rinsing with demineralised water and subsequent drying
- First powder layer application followed by kiln baking at 180°
- Final powder layer application using a High Durability product and final kiln roasting at 180°C.



Salt spray test | FLORIDA TEST

The top quality of such treatments is confirmed by the successful results of specific salt spray test (all products exceeded widely 2.500 hours) and the strictest international tests, among which FLORIDA TEST.

The salt spray test is made in accordance with standard UNI EN ISO 9227.



Ghisamestieri the green way of light s.r.l

Legal headquarters:
Strada Provinciale Specchia - Alessano, 68 - 73040 (LE)

Administrative and operational headquarters:
Via Grande n°226 - 47032 Bertinoro (FC)

T +39 0543 462611
F +39 0543 449111

info@ghisamestieri.it
www.ghisamestieri.it