

COMPANY UP&DOWN DOWNLIGHT IN-GROUND BRICKLIGHT FLOODLIGHT BOLLARD BULKHEAD GARDEN URBAN CLASSIC URBAN MODERN POST LAMPS REFERENCES

GIOVA/GIUSEPPE

FLOODLIGHT



Square floodlight with no visible screws made of shockproof resin material, UV-rays stabilized, rust and corrosion-free. Suitable for wall, ground and post installation. Provided complete with a fully adjustable bracket to direct the light emission. Supplied with TÜV-CB certified, long-life, efficient and **Kelvin settable GX53 LED lamps included** or provided with **2x E27 lampholders**. Motion sensor version available. Insulation class II, Protection rating IP66.



GIOVA/GIUSEPPE
4P1.702
4P2.702

*Proiettore quadro senza viti a vista, fabbricato in resina antiurto stabilizzata ai raggi UV, inattaccabile da ruggine e corrosione. Idoneo per installazioni a parete, a suolo e a palo. Provvisto completo di braccio che permette l'orientamento del proiettore in qualsiasi posizione. Fornito con **include lampadine a LED GX53 con Kelvin impostabile** certificate TÜV-CB di lunga durata ed elevata efficienza o disponibile nella versione **2x E27**, anche con sensore di movimento. Classe di isolamento II, grado di protezione IP66.*

4P1.702.B1K



CCT SETTABLE

2700 K 3000 K 4000 K 6500 K

SDCM <6





GIOVA/GIUSEPPE - COMPONENTS



COVER with no visible screws, made of shockproof resin material, UV-rays stabilized.

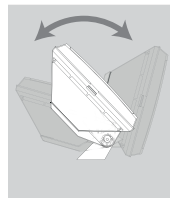
COVER senza viti a vista in resina antiurto stabilizzata ai raggi UV.

DIFFUSER made of UV-rays stabilized polymethyl-methacrylate (PMMA) screwed to the floodlight body.

DIFFUSORE realizzato in polimetilmetacrilato (PMMA) stabilizzato ai raggi UV da avvitare al corpo del proiettore.

BODY made of shockproof resin material, UV-rays stabilized, provided with silicone rubber gasket to ensure high protection against external agents.

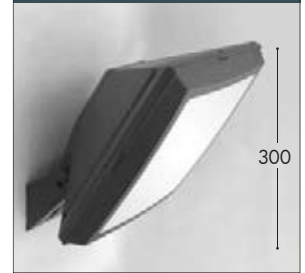
CORPO realizzato in resina antiurto, stabilizzata ai raggi UV, completa di guarnizione in gomma siliconica per garantire un alto livello di protezione contro gli agenti esterni.



BRACKET made of shockproof resin material, UV-rays stabilized, to allow a fully adjustable position of the floodlight.

BRACCIO realizzato in resina antiurto, stabilizzato ai raggi UV, che permette l'orientamento in qualsiasi posizione del proiettore.

GIOVA/GIUSEPPE



Dimensions and weight

Height: 150 mm
Width: 300 mm
Weight: 3 Kg

Moulded Colours:

Black Grey White

Diffuser PMMA:

Opal

LED LAMPS



Technical details on page 552.

4x GX53 LED



4P2.702

Floodlight supplied **wit white resin reflective ceiling fully pre-wired** and complete with 4 x TÜV-CB certified long-life efficient and Kelvin settable GX53 LED lamps included. Different wattages available. Quick and easy lamp replacement for a very simple maintenance after installation.

100 - 240 V				*ADD. SUFFIX
GX53 LED	4x 7W 28W	3200 Lm	6500 K	.C4K
			4000 K	
			3000 K	
	4x 10W 40W	4800 Lm	6500 K	.D4K
			4000 K	
			3000 K	

4x 10W = 100W
4800 Lm SON-HQI

SAVE 60%

CCT SETTABLE

2700 K 4000 K 6500 K

SDCM <6

GX53 LED



4P1.702

Floodlight supplied **fully pre-wired** and complete with TÜV approved, long-life and efficient and Kelvin settable GX53 LED lamp in different wattages.

100 - 240 V				*ADD. SUFFIX
GX53 LED	7 W	800 Lm	6500 K	.A1K
			4000 K	
			2700 K	
GX53 LED	11 W	1300 Lm	6500 K	.B1K
			4000 K	
			2700 K	
GX53 LED	18 W	2000 Lm	6500 K	.E1K
			4000 K	
			2700 K	
GX53 LED + SENSOR	7 W	800 Lm	6500 K	.ASK
			4000 K	
			2700 K	
GX53 LED + SENSOR	11 W	1300 Lm	6500 K	.BSK
			4000 K	
			2700 K	
GX53 LED + SENSOR	18 W	2000 Lm	6500 K	.ESK
			4000 K	
			2700 K	

7W 11W 18W = 60W 100W 150W
incandescence

SAVE 90%

2x E27



4P2.702

Floodlight supplied **fully pre-wired** with white resin reflective ceiling and complete with 2x E27 lampholders.

Daylight and motion sensor available as option. Sensor operating voltage: 220-240V. (120V version available on demand).

*ADD. SUFFIX		
2x E27 (CFL-LED)	max 160 mm	.E28
2x E27 + SENSOR	max 160 mm	.ES8

* ADD THESE SUFFIXES TO THE REFERENCES MENTIONED IN THE CATALOGUE

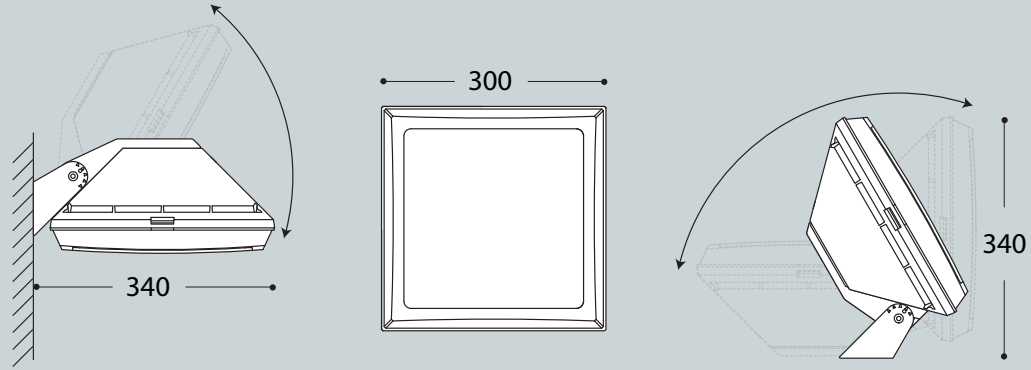




GIOVA/GIUSEPPE GX53

7W	4P1.702.A1K
11W	4P1.702.B1K
18W	4P1.702.E1K
28W	4P2.702.C4K
40W	4P2.702.D4K

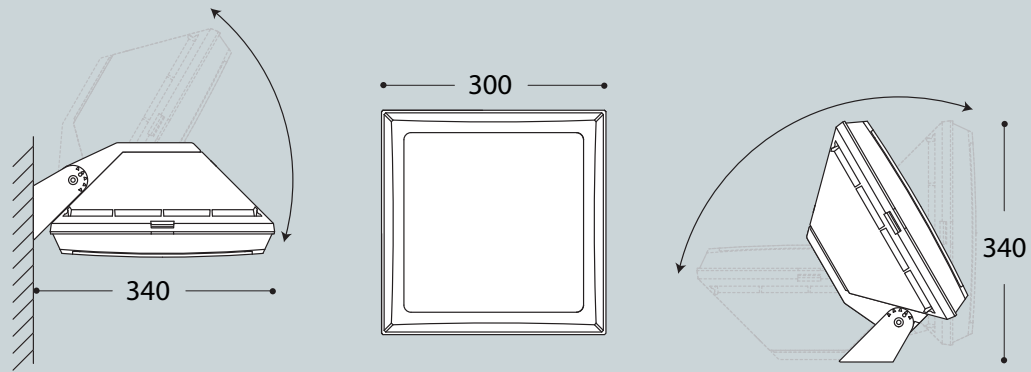
CCT SETTABLE GX53 LED LAMPS INCLUDED



Pcs 10
Kg 31
mc 0,195

GIOVA/GIUSEPPE 2xE27

2xE27 lampholder	4P2.702.E28
2xE27 with sensor	4P2.702.ES8



Pcs 10
Kg 21
mc 0,195

POST SYSTEM VERSION



Detailed information on page 422.