

COMPANY UP&DOWN DOWNLIGHT IN-GROUND BRICKLIGHT FLOODLIGHT BOLLARD BULKHEAD GARDEN URBAN CLASSIC URBAN MODERN POST LAMPS REFERENCES

# GIORGIO-ROSA

## FLOODLIGHT

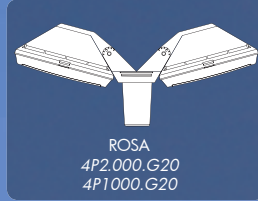


Post top system complete with single or double luminaires made in in shockproof resin material, UV-rays stabilized, rust and corrosion-free. The provided bracket allows a fully adjustable floodlight position to direct the light emission. Supplied with TÜV-CB certified, long-life, efficient and **Kelvin settable GX53 LED lamps included** or provided with **2x E27 lampholders**. Insulation class II, Protection rating IP66.

*Sistema completo di diffusori per installazioni a palo con luce singola o doppia. Fabbricato in resina antiurto stabilizzata ai raggi UV, inattaccabile da ruggine e corrosione. Il braccio in dotazione permette l'inclinazione e l'orientamento del proiettore per direzionare il flusso luminoso. Fornito con **incluse lampadine a LED GX53 con kelvin impostabile** certificate TÜV-CB di lunga durata ed elevata efficienza o disponibile nella versione **2x E27**. Classe di isolamento II, grado di protezione IP66.*



GIORGIO  
4P2.000.G10  
4P1.000.G10



ROSA  
4P2.000.G20  
4P1000.G20



4P2.000.G10



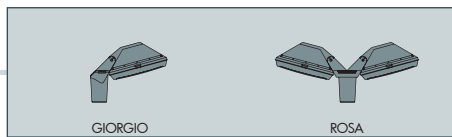
4P2.000.G20

**CCT SETTABLE**

2700 K 4000 K 6500 K  
3000 K

SDCM <6



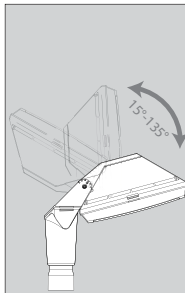
**GIORGIO/ROSA - COMPONENTS**

IP66



Square **FLOODLIGHT** with no visible screws made in shockproof resin material, UV-rays stabilized, rust and corrosion-free. Supplied with TÜV certified, long-life and efficient GX53 LED lamps included or provided with 2x E27 lampholders.

***PROIETTORE** quadro senza viti a vista, fabbricato in resina antiurto stabilizzata ai raggi UV, inattaccabile da ruggine e corrosione. Provvisto di lampadine a LED GX53 approvate TÜV di lunga durata ed elevata efficienza o fornito nella versione 2x E27.*



**POST TOP SYSTEM** with single or double bracket made in shockproof resin material, UV-rays stabilized. The provided bracket allows a fully adjustable position of the floodlight to direct at will the light emission.

***SISTEMA A PALO** con braccio singolo o doppio realizzato in resina antiurto, stabilizzata ai raggi UV. Il braccio permette l'orientamento in qualsiasi posizione del proiettore per poter direzionare il flusso luminoso.*

**GIORGIO**

4P2.000.G10 \*



**Dimensions and weight**

Height: 200 mm  
Width: 420 mm  
Weight: 4 Kg

**ROSA**

4P2.000.G20 \*



**Dimensions and weight**

Height: 200 mm  
Width: 700 mm  
Weight: 6 Kg

**Moulded Colours:**

Black Grey White

**Diffuser PMMA:**

Opal

**4x GX53 LED**

FULLY PRE-WIRED

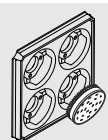


4P2.702

Floodlight supplied with **white resin reflective ceiling fully pre-wired** and complete with 4 x TÜV-CB certified long-life efficient and Kelvin settable GX53 LED lamps included. Different wattages available. Quick and easy lamp replacement for a very simple maintenance after installation.

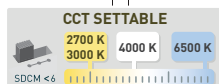
**100 - 240 V**

				*ADD. SUFFIX	
GX53 LED	4x 7W 28W	3200 Lm	6500 K 4000 K 3000 K	.C4K	
	4x 10W 40W	4800 Lm	6500 K 4000 K 3000 K	.D4K	



4x 10W = 100W  
4800 Lm SON-HQI

**SAVE 60%**



**GX53 LED**

FULLY PRE-WIRED



4P1.702

Floodlight supplied **fully pre-wired** and complete with TÜV approved, long-life and efficient and Kelvin settable GX53 LED lamp in different wattages.

**100 - 240 V**

				*ADD. SUFFIX	
GX53 LED	7 W	800 Lm	6500 K 4000 K 2700 K	.A1K	
	11 W	1300 Lm	6500 K 4000 K 2700 K	.B1K	
	18 W	2000 Lm	6500 K 4000 K 2700 K	.E1K	
GX53 LED + SENSOR	7 W	800 Lm	6500 K 4000 K 2700 K	.ASK	
	11 W	1300 Lm	6500 K 4000 K 2700 K	.BSK	
	18 W	2000 Lm	6500 K 4000 K 2700 K	.ESK	



7W 11W 18W = 60W 100W 150W incandescent

**SAVE 90%**

**2x E27**

FULLY PRE-WIRED



4P2.702

Floodlight supplied **fully pre-wired** with white resin reflective ceiling and complete with 2x E27 lampholders.

Daylight and motion sensor available as option. Sensor operating voltage: 220-240V. (120V version available on demand).

		*ADD. SUFFIX	
2x E27 (CFL-LED)	max 160 mm	.E28	
2x E27 + SENSOR	max 160 mm	.ES8	

**LED LAMPS**



Technical details on page 552.

\* ADD THESE SUFFIXES TO THE REFERENCES MENTIONED IN THE CATALOGUE

COMPANY  
UP&DOWN  
DOWNLIGHT  
IN-GROUND  
BRICKLIGHT  
FLOODLIGHT  
BOLLARD  
BULKHEAD  
GARDEN  
URBAN CLASSIC  
URBAN MODERN  
POST  
LAMPS  
REFERENCES

# GIORGIO-ROSA

## FLOODLIGHT



4P2.414.G20



4P2.000

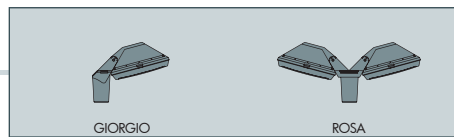


4P2.702



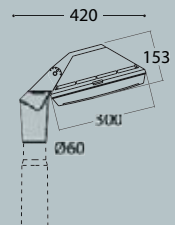
4P2.361.G10





GIORGIO	
<b>11W</b>	4P1.000.G10.B1K
<b>18W</b>	4P1.000.G10.E1K
<b>28W</b>	4P2.000.G10.C4K
<b>40W</b>	4P2.000.G10.D4K

CCT SETTABLE GX53 LED LAMP INCLUDED

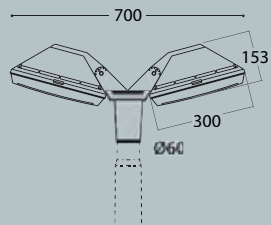


Pcs 1  
Kg 4  
mc 0,029

**2x E27** lampholder 4P2.000.G10.E28

ROSA	
<b>2x 11W</b>	4P1.000.G20.B1K
<b>2x 18W</b>	4P1.000.G20.E1K
<b>2x 28W</b>	4P2.000.G20.C4K
<b>2x 40W</b>	4P2.000.G20.D4K

CCT SETTABLE GX53 LED LAMP INCLUDED

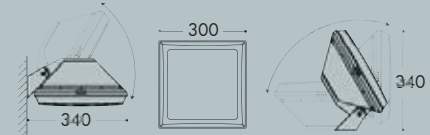


Pcs 1  
Kg 6  
mc 0,049

**2x E27** lampholder 4P2.000.G20.E28

GIOVA/GIUSEPPE	
<b>11W</b>	4P1.702.B1K
<b>18W</b>	4P1.702.E1K
<b>28W</b>	4P2.702.C4K
<b>40W</b>	4P2.702.D4K

CCT SETTABLE GX53 LED LAMP INCLUDED

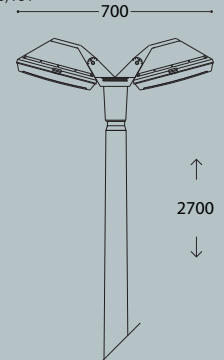


Pcs 10  
Kg 31  
mc 0,195

**2x E27** lampholder 4P2.702.E28

EKTOR 2500/ROSA
4P2.361.G20

Pcs 1  
Kg 27  
mc 0,181



EKTOR 4000/GIORGIO	AKILLE 4000/GIORGIO
4P2.371.G10	4P2.421.G10

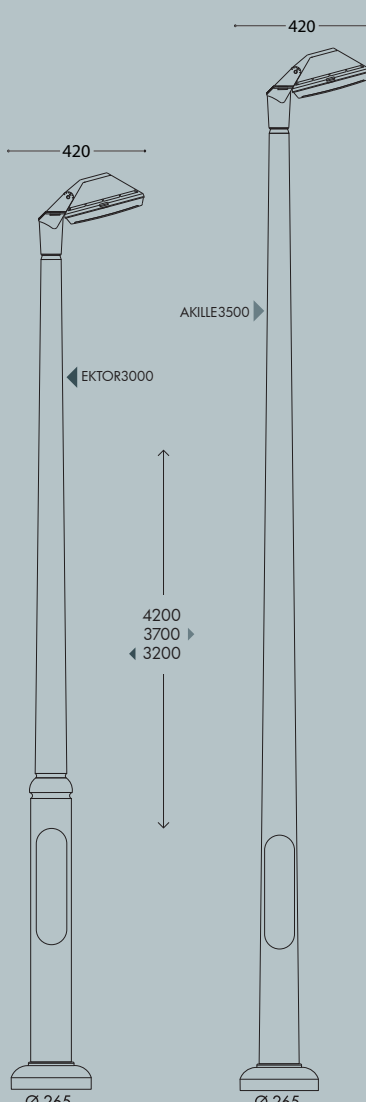
Pcs 1  
Kg 40  
mc 0,240

EKTOR 3500/GIORGIO	AKILLE 3500/GIORGIO
4P2.367.G10	4P2.417.G10

Pcs 1  
Kg 37  
mc 0,214

EKTOR 3000/GIORGIO	AKILLE 3000/GIORGIO
4P2.364.G10	4P2.414.G10

Pcs 1  
Kg 34  
mc 0,188



EKTOR 4000/ROSA	AKILLE 4000/ROSA
4P2.371.G20	4P2.421.G20

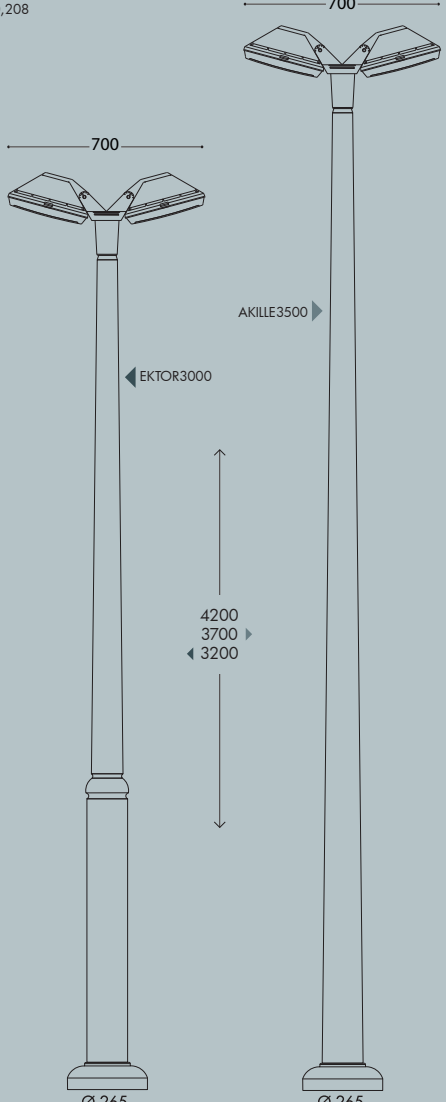
Pcs 1  
Kg 43  
mc 0,260

EKTOR 3500/ROSA	AKILLE 3500/ROSA
4P2.367.G20	4P2.417.G20

Pcs 1  
Kg 40  
mc 0,234

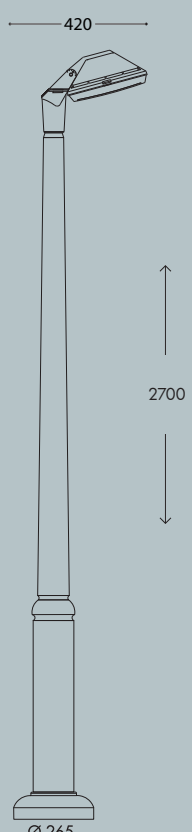
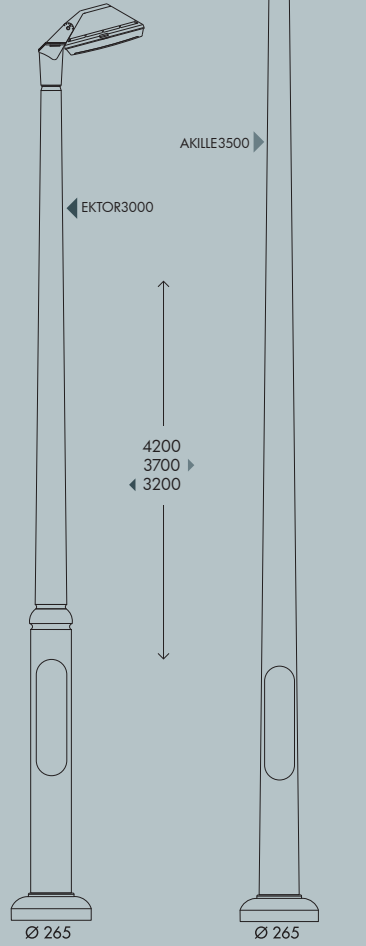
EKTOR 3000/ROSA	AKILLE 3000/ROSA
4P2.364.G20	4P2.414.G20

Pcs 1  
Kg 37  
mc 0,208



EKTOR 2500/GIORGIO
4P2.361.G10

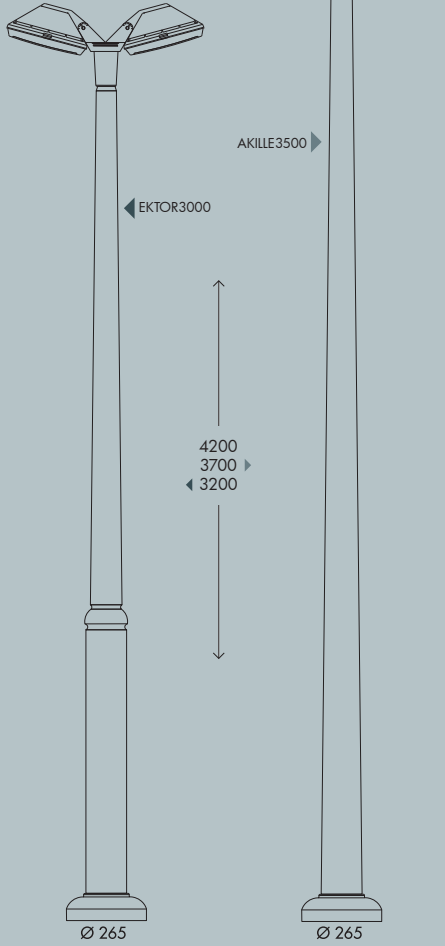
Pcs 1  
Kg 24  
mc 0,161

AKILLE3500  
EKTOR3000

4200  
3700  
3200

Ø 265



AKILLE3500  
EKTOR3000

4200  
3700  
3200

Ø 265