

CECCHI

RECTANGULAR



Rectangular bulkhead lamp made of shockproof resin material, UV-rays stabilized, rust and corrosion-free. Suitable for wall and ceiling installation. Supplied as option with coloured backlit base. **Kelvin settable GX53 LED** or **E27** version available. Insulation class II, Protection rating IP66.



CECCHI
1H3.000

*Plafoniera rettangolare realizzata in resina antiurto stabilizzata ai raggi UV, inattaccabile da ruggine e corrosione. Idonea per il montaggio a parete e a soffitto. Disponibile anche con base per retroilluminazione colorata. Fornita nella versione a **LED GX53 con Kelvin impostabile** o **E27**. Classe di isolamento II, grado di protezione IP66.*

1H3.000.C11



CCT SETTABLE

2700 K 4000 K 6500 K

SDCM <6



CECCHI COMPONENTS

IP 66



COVER made of shockproof resin material, UV-rays stabilized.

COVER in resina antiurto stabilizzata ai raggi UV.

Opal **DIFFUSER** made of UV-rays stabilized polymethylmethacrylate (PMMA), with silicone rubber gasket to ensure high protection against external agents.

DIFFUSORE opale realizzato in polimetilmetacrilato (PMMA) stabilizzato ai raggi UV. Completo di guarnizione in gomma siliconica per garantire un alto livello di protezione contro gli agenti esterni.

BASE made of shockproof resin material, provided with E27 or GX53 lampholder. Available in different backlit colours to create a coloured effect on wall and ceilings.

BASE realizzata in resina antiurto. Fornita completa di portalampana E27 o GX53. Disponibile in diversi colori per creare una retroilluminazione colorata su pareti e soffitti.



CECCHI



Dimensions and weight

Width: 338 mm
Height: 245 mm
Depth: 90 mm
Weight: 1 Kg

Moulded colours:

Black White Grey

Diffuser PMMA:

Opal

GX53 LED



Bulkhead supplied **fully pre-wired** and complete with TÜV-CB certified, long-life, efficient and **Kelvin settable GX53 LED lamp included**. Different wattage available.

- **COST SAVING:** long-life and efficient LED light sources
- **BUILT-IN DRIVER:** Quick and easy lamp replacement for a very simple maintenance after installation.

		100 - 240 V		*ADD. SUFFIX
	7 W	800 Lm	6500 K	.A1K
			4000 K	
			2700 K	
	11 W	1300 Lm	6500 K	.B1K
			4000 K	
			2700 K	
18 W	2000 Lm	6500 K	.E1K	
		4000 K		
		2700 K		

E27



Bulkhead supplied **fully pre-wired** with **E27 lampholder**. White resin reflective plate designed to grant lampholder protection and isolation. Safe fixation of the electrical devices on the plate rear side.

Daylight and motion sensor available as an option. Sensor operating voltage: 220-240V (120V available on demand).

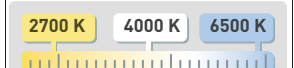
E27 (CFL -LED)	max 160 mm	.E27
E27 + SENSOR (CFL -LED)		.ES7

LED LAMPS



Technical details on page 552.

CCT SETTABLE LED LAMP



CCT switch settable in three different positions, to select the desired Kelvin temperature (2700K/4000K/6500K) and get a customized ambiance.

7W
11W
18W

=

60W
100W
150W

incandescent

SAVE 90%

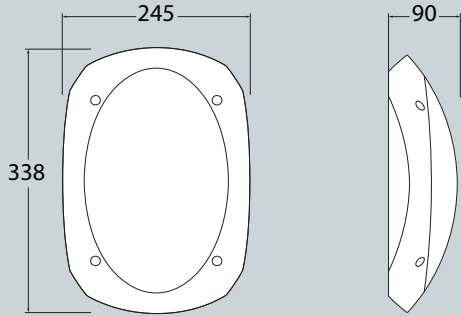
* ADD THESE SUFFIXES TO THE REFERENCES MENTIONED IN THE CATALOGUE

CECCHI
RECTANGULAR



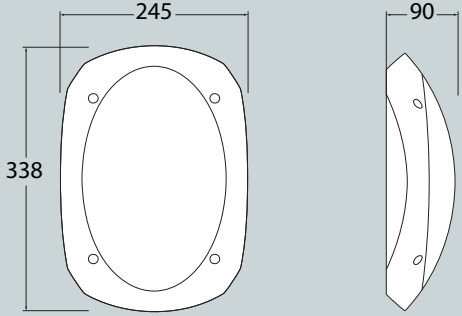
CECCHI GX53	
7W	1H3.000.A1K
11W	1H3.000.B1K
18W	1H3.000.E1K

CCT SETTABLE GX53 LED LAMP INCLUDED
2700K/4000K/6500K



Pcs 16
Kg 18,7
mc 0,194

CECCHI E27	
E27 lampholder	1H3.000.E27
E27 with sensor	1H3.000.ES7



Pcs 16
Kg 15,5
mc 0,194