

# NEW LED 1, 2, 3 3030



IP  
66

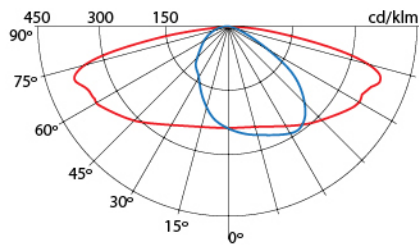
IK  
09



Modern fixtures NEW LED with optimized photometric performance and low cost investment. Perfect solution to improve level of light intensity in cities while saving energy.

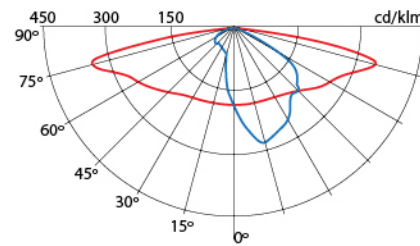
## DISTRIBUTION CURVE

NEW LED 2 99W



— 0°/180° — 90°/270°

NEW LED 2 107W



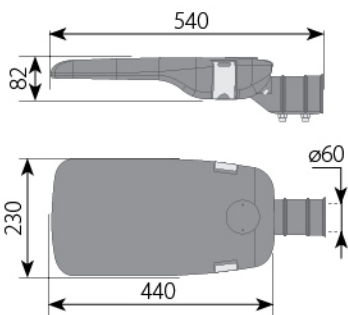
— 0°/180° — 90°/270°

## ADVANTAGES

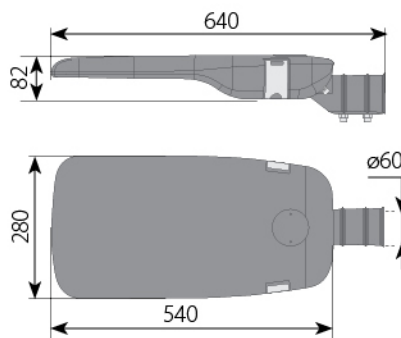
- two compartment luminaire made of high-quality die-cast aluminum
- glass diffuser
- neoprene seal providing IP66 tightness to entire luminaire
- optical system made in a modular form
- interchangeable lenses to achieve optimal lighting parameters

## DIMENSIONS

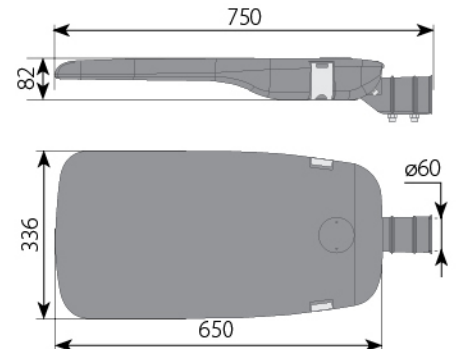
NEW LED 1



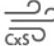

NEW LED 2



NEW LED 3







TECHNICAL DATA

		Nominal luminous flux					
		NEW LED 1		NEW LED 2		NEW LED 3	
LED number		48 LED	72 LED	108 LED	144 LED	192 LED	240 LED
Current 350mA	Luminous flux (lm)	3014	4522	6782	9043	12058	15072
	Power (W)	17	25	38	51	68	85
Current 500mA	Luminous flux (lm)	4214	6320	9480	12641	16854	21068
	Power (W)	25	37	56	74	99	123
Current 700mA	Luminous flux (lm)	5695	8542	12814	17085	22780	28475
	Power (W)	36	54	80	107	143	179
Current 1000mA *for current 900mA	Luminous flux (lm)	7873	10865*	17715	-	31494	-
	Power (W)	52	70*	117	-	208	-
 Surface of wind exposure (CxS)		0,03 m <sup>2</sup>		0,037 m <sup>2</sup>		0,04 m <sup>2</sup>	
 Weight of the luminaire		3,2 kg		4,7 kg		6,9 kg	

• Due to the optical systems and LED drivers used, differences of ± 8% luminous flux and power of the luminaire are allowed.  
 • The given parameters are examples as it is possible to adjust the supply current and change the luminaire power and luminous flux.  
 • Due to continuous development of LED technology, the parameters may change. • To get the latest information, please contact the company.

 LED Chip  
**LUMILED 3030**  
 CCT 2700-6500K  
 CRI ≥ 70

 min. 0,95  
 from -40°C to +60°C

 100 000 h  
 IES LM80-L90B10  
 9007

EASY AND SAFE MAINTENANCE

- maintenance without tools
- safety lock against accidental closing of the body during maintenance
- knife connector

ADDITIONAL OPTIONS

- adjustable current in the range of 350-1050mA
- ability to adjust the power and luminous flux optimally to the project
- autonomic power control (Astro DIM)
- possibility of remote control and monitoring (DALI)
- step, remote or autonomic power control (STEP DIM)
- phase wire control (SD)
- working with light/motion sensors
- surge protection up to 10 kV
- overload or thermal protection
- soft-start – limitation of inrush current
- optional equipment – ZHAGA or NEMA socket
- IP67

